

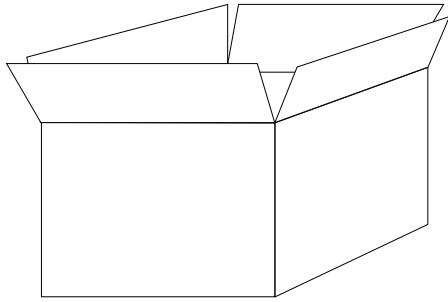
OUTDOOR ALARMED DEFIBRILLATOR CABINET

INSTALLATION GUIDE

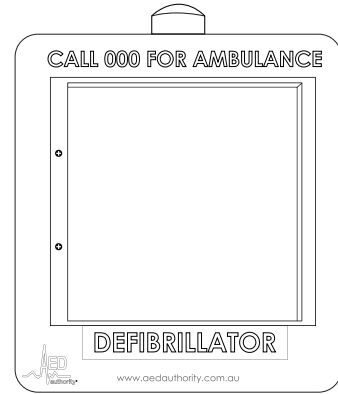
Congratulations on the purchase of your AED Authority Alarmed Defibrillator Cabinet. To install, please follow the simple instructions below.

STEP 1: UNPACK CABINET FROM PACKAGING.

Remove your new cabinet from its packaging, assess the unit for any damage that may have occurred during delivery, Once you have assessed that the unit is free from any damage you are ready to proceed to installation.



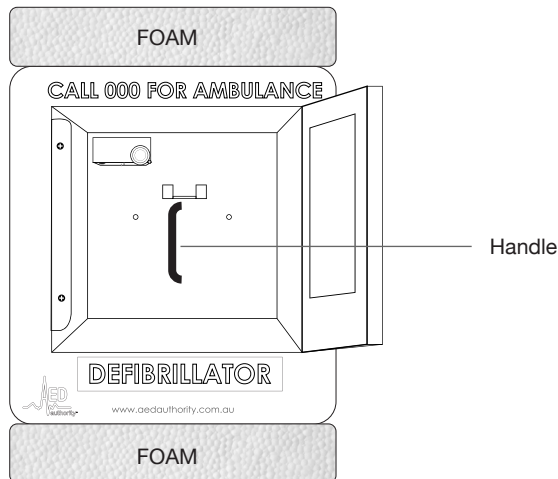
1a) Unpack your Cabinet from its packaging.



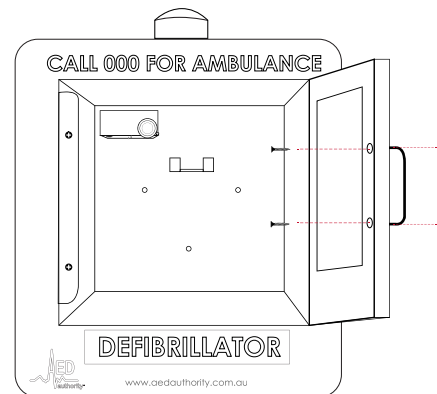
1b) Assess all surfaces for damage.

STEP 2: LOCATE THE DOOR HANDLE AND ATTACH IT TO THE CABINET DOOR.

The door handle is screwed into the bottom mounting hole of the cabinet. Refer to image below. The screws to affix the handle to the door are attached to the handle itself. Remove the screws from the handle using a Phillips head screwdriver and attach handle to the exterior of the door.



2a) Locate the handle screwed into bottom mounting hole in the cabinet. Refer image above. Remove the screws (x2) from the handle.



2b) Place the handle on the exterior side of the cabinet door and fix the cabinet handle correctly using 2x screws.

03 8710 8666

sales@aedauthority.com.au

41 Marconi Drive, Dandenong South VIC 3175



aedauthority.com.au